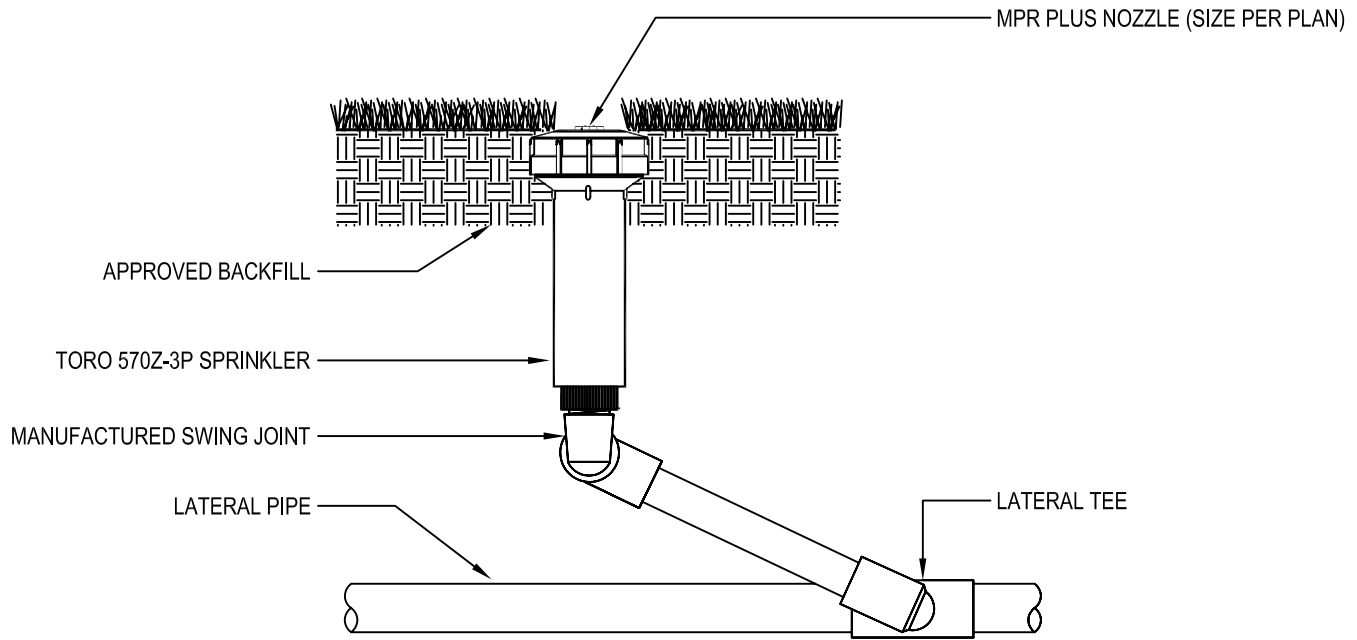




TORO-IRRIGATION DIVISION
 5825 JASMINE STREET
 RIVERSIDE, CA 92504
 TOLL FREE: 1-800-664-4740
 PHONE: (951) 785-3152
 FAX: (951) 359-1870
 www.toro.com



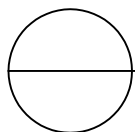
SECTION/ELEVATION

NOT TO SCALE

- SELECT DESIRED OPTION
- SUPER FUNNY PIPE
- SWING JOINT (SHOWN)
- RISER

NOTES:

1. INSTALLATION TO BE COMPLETED IN ACCORDANCE WITH MANUFACTURER'S SPECIFICATIONS.
2. DO NOT SCALE DRAWINGS.
3. INSTALL SPRINKLER AT FINISHED GRADE.



ST SPRINKLERS: 570Z SERIES 3" POP-UP

FIXED-SPRAY SPRINKLER, SWING JOINT